

High Uptime Kit VUV5k

Store critical consumables onsite for rapid maintenance

Advantages:

Ensure uninterrupted operations in case of failure.
The Scienta Omicron high uptime kit includes the most common spare parts for each instrument. With this available in the lab, the down time in case of a failure can be reduced to a minimum.

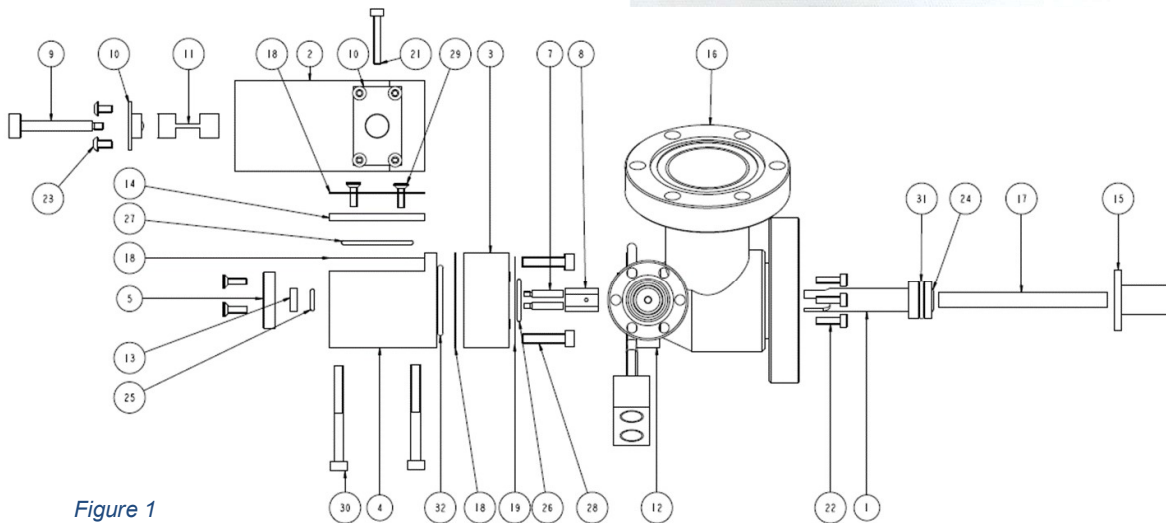
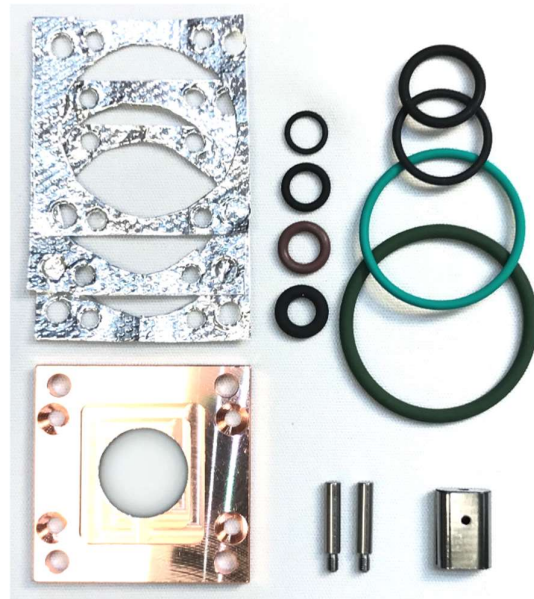


Figure 1

The tantalum foil and electrode pins (#8 and #7 in Figure 1) of the VUV5050 source head get worn down when the instrument is used. The purer the He gas is, the longer the cavity can run at full power without the need of tantalum foil change. Using neon gas, the tantalum foil is destroyed as fast as about 20 hours. When the tantalum foil is burned, the copper cavity and the iron pole pieces are displayed and perforated in a short time. Tantalum maintenance implies changing the tantalum foil and inspecting the tantalum pins for corrosion, in which case they should be replaced. Perform tantalum maintenance at least once during the first year and then every 1000 hours of use.

Summary

Part numbers:

- 200584 High uptime kit VUV5k source

Parts included:

- Electrode (Ta pins), 2 pcs
- Shield (Ta foil)
- Window Brazing (Ceramic window)
- O-Ring Set VUV5050
- Set of conductive foil gaskets

Prerequisites:

- -

Onsite effort:

- Does not require SO engineer on site

Options:

- Combine with other upgrades, installation and onsite training

How to contact us:

www.scientaomicron.com
info@scientaomicron.com