

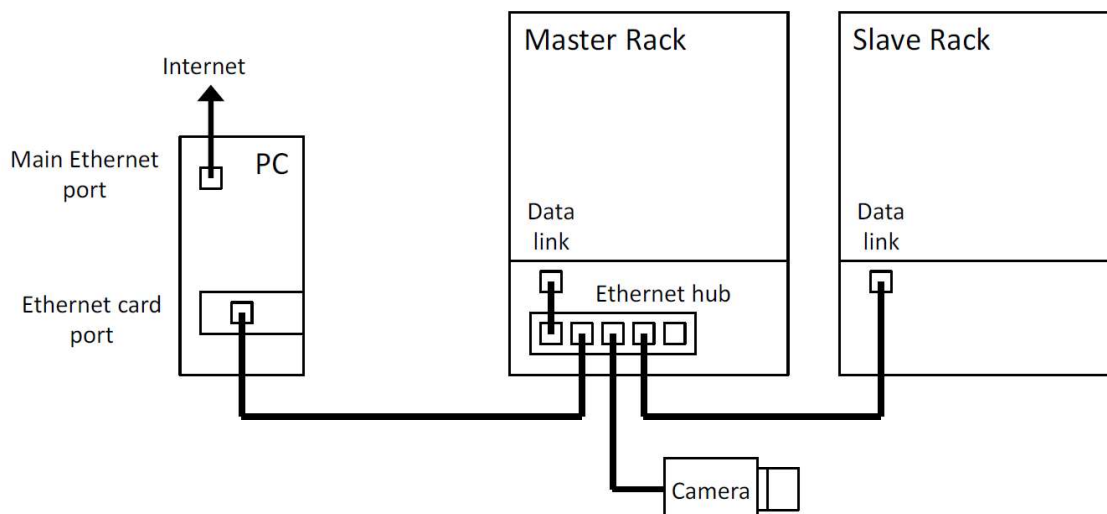
Ethernet Rack Upgrade

Ready for PEAK, the next generation software platform for Analyzer control

Advantages:

- PEAK compatibility
- Enables Ethernet communication between PC and Rack
- Improved Signal integrity gives unlimited cable length
- The Ethernet interface simplifies Rack Add-ons

Traditionally, the Scienta analyzers have been equipped with a Firewire CCD camera for the detector and a USB-to-RS422 adapter for the high voltage rack communication. The next generation setup utilizes Ethernet for the camera as well as the rack.



Summary

Part number:

- 201040 Ethernet rack upgrade

Parts included:

- New inlet plate for the HV rack. Pre-assembled with Ethernet Hub and cabling
- Instruction

Prerequisites:

- Computer Ethernet Rack (201042 / 201043)
- HVC version 6.0 or newer (70581XX)

Onsite effort:

- Does not require SO Engineer on site

Options:

- Combine with other upgrades, installation
And onsite training

How to contact us:

www.scientaomicron.com
info@scientaomicron.com